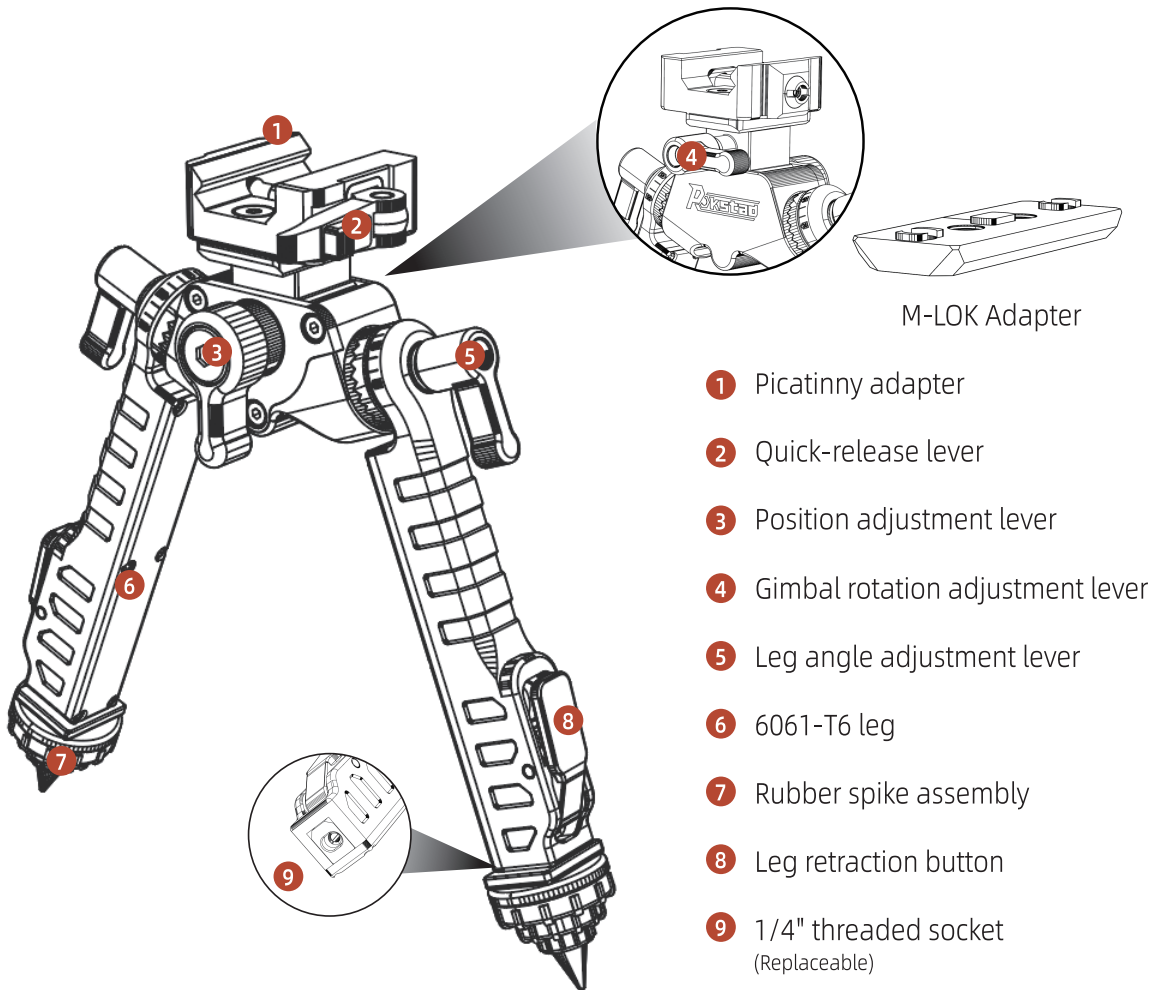
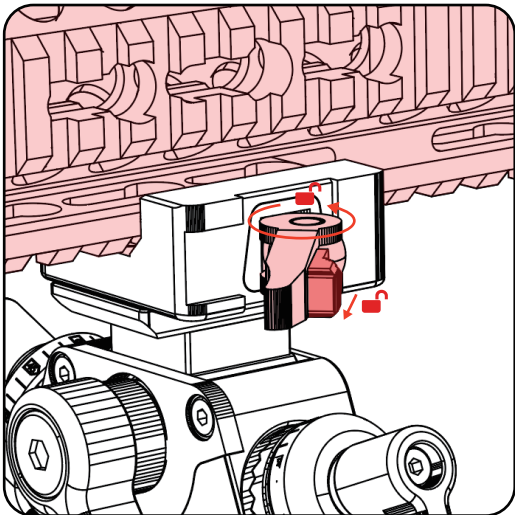




Please refer to user manual carefully before using

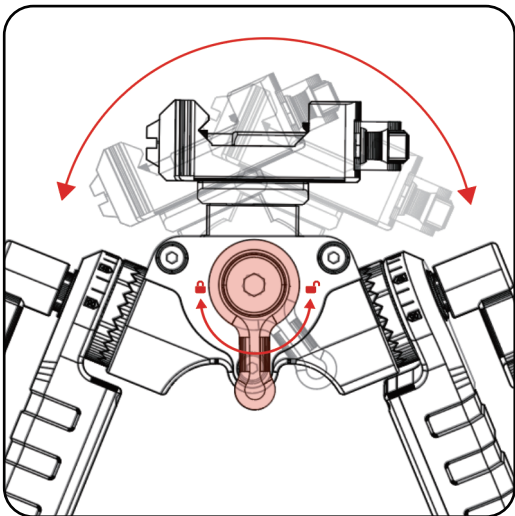
# 4.4"-9.2" PAN&TILT BIPOD USER MANUAL





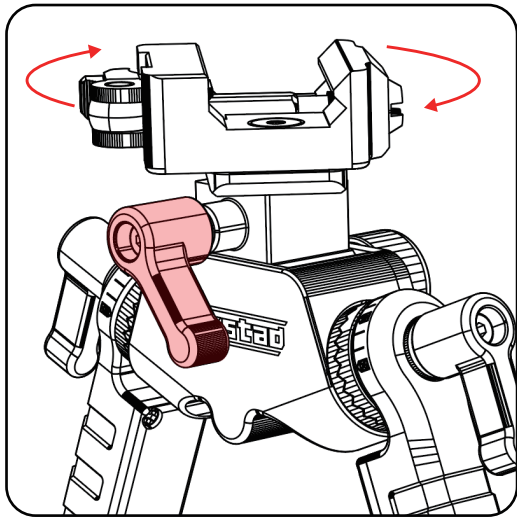
## **USING THE PICATINNY RAIL ADAPTER**

1. The quick-release lever features a locking function. Before use, it must be unlocked, then turned counterclockwise to loosen.
2. Mount the bipod onto the Weaver / Picatinny rail and adjust it to the desired position.
3. Fold the adjustment lever clockwise against the base, and the latch will automatically lock.



## **TILT COMPENSATION**

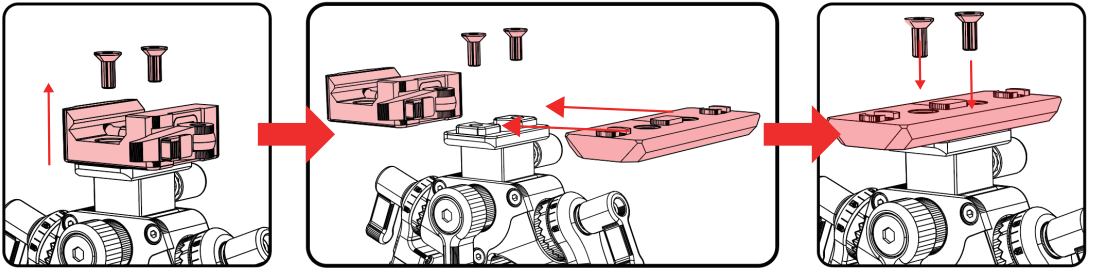
1. Rotate the position adjustment lever counterclockwise to unlock the bipod head, allowing it to swing left and right.
2. After adjusting to the desired angle, rotate the position adjustment lever clockwise to lock bipod head, ensuring stability during shooting.
3. When both side legs are on uneven ground, the tilt compensation function can be used to maintain a stable aiming position.



## TRIPOD HEAD ANGLE ADJUSTMENT

1. Rotate the bipod head rotation adjustment lever counterclockwise to unlock the bipod head, allowing it to be rotated to the desired angle as needed.
2. After adjusting to the required position, rotate the bipod head rotation locking lever clockwise to lock it, ensuring stability during shooting.

## M-LOK ADAPTER



1. Using the supplied hex key, counterclockwise loosen and remove the two fixing screws on the top surface, then remove the Picatinny adapter.
2. Align the mounting screw holes of the bipod head base with those of the M-LOK adapter plate, and fit the M-LOK plate flat against the mounting surface.
3. Replace the two fixing screws and tighten them clockwise with the hex key to complete the M-LOK plate assembly.

## LEG ANGLE ADJUSTMENT

Rotate the leg angle adjustment lever at the base of the legs to switch the support angle of the bipod. Turn the leg angle adjustment lever counterclockwise to loosen it (only 90° rotation is required), then swing the legs forward or backward to the desired position.

This product features 24 detents, each at 15° intervals, allowing angle adjustment as needed.

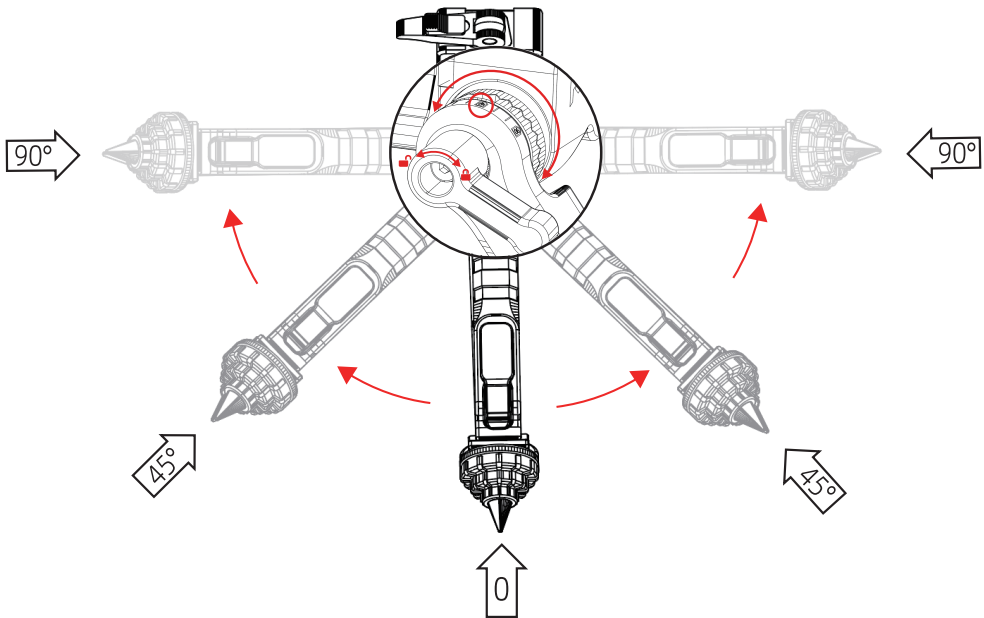
The 0° position is suitable for storage and transport.

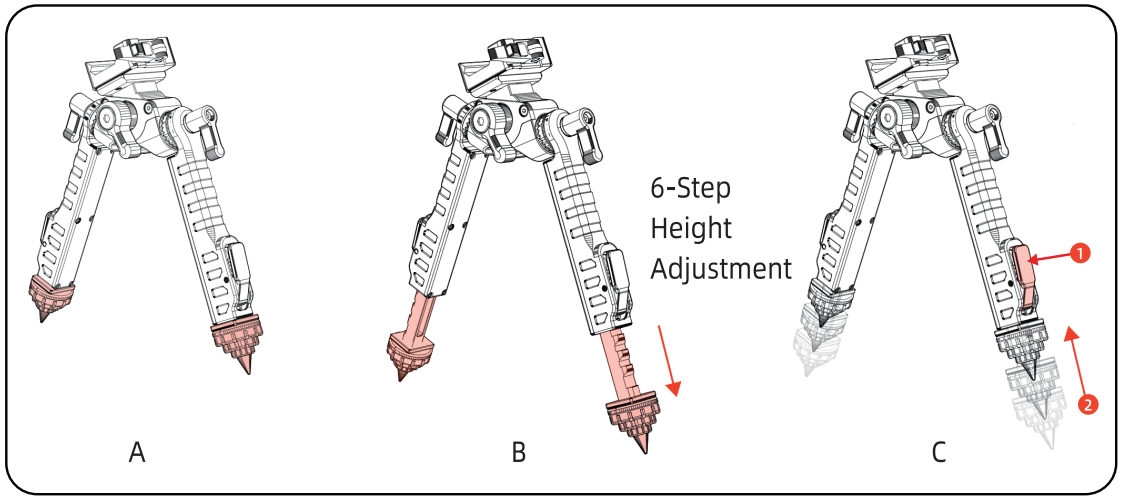
The 45° position is suitable for low-profile support.

The 90° position provides a wider support span and greater stability.

After adjustment, turn the leg angle adjustment lever clockwise to lock both legs.

*\*Please ensure both legs are fully locked to avoid loosening during use.*





- A When the bipod leaves the factory / is not adjusted, the legs are fully retracted, and the spike assembly is completely housed inside the leg tube. In this state, the overall length of the bipod is at its shortest, suitable for storage or low-profile shooting scenarios.
- B Pull down the rubber spike assembly at the bottom of the leg to extend the leg to the desired length (the bipod supports multi-step/length adjustment, allowing you to select the appropriate height based on the shooting environment).
- C Press the leg release button, and the leg will automatically retract.

## THREE YEARS LIMITED WARRANTY

Your rokstad product is warranted free of defects in materials and workmanship for a period of 3 years from the time of purchase by the original purchaser. This warranty covers accidental damage, as well as any defects in materials and workmanship. Damages caused by misuse or improper handling are not covered. In the event of a defect under this warranty, we promise to repair or replace your product and ship it back to you absolutely free of charge. Also, this warranty is null and void if modification or maintenance is provided by someone other than Vector Optics. This warranty is non-transferable. For products not directly purchased from us, please contact the local dealer for an applicable warranty.

<https://www.vectoroptics.com/Warranty-Registration/>

For more details please visit our website, thanks for your support!

Authorised Dealer (Name): \_\_\_\_\_.

Contact Details (Phone and Email): \_\_\_\_\_.

Product No: \_\_\_\_\_.

Purchase Date: \_\_\_\_\_.

Inspection Date: \_\_\_\_\_.

Warranty Date: \_\_\_\_\_.

Return Date: \_\_\_\_\_.

Scan the QR code to learn more about VectorOptics



VECTROPTICS



中文使用说明



FACEBOOK



INSTAGRAM