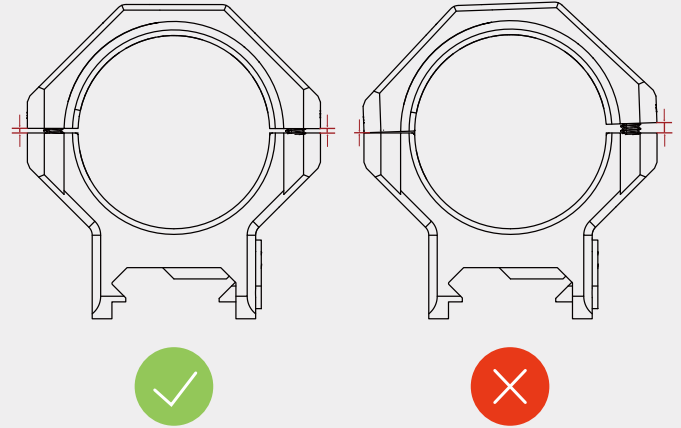
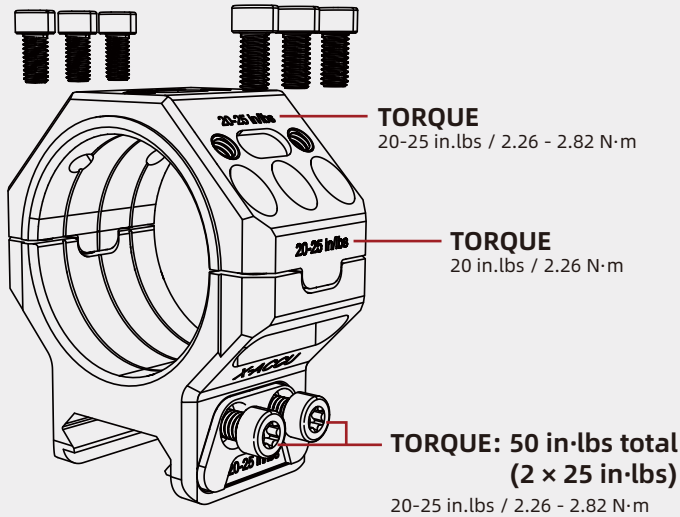




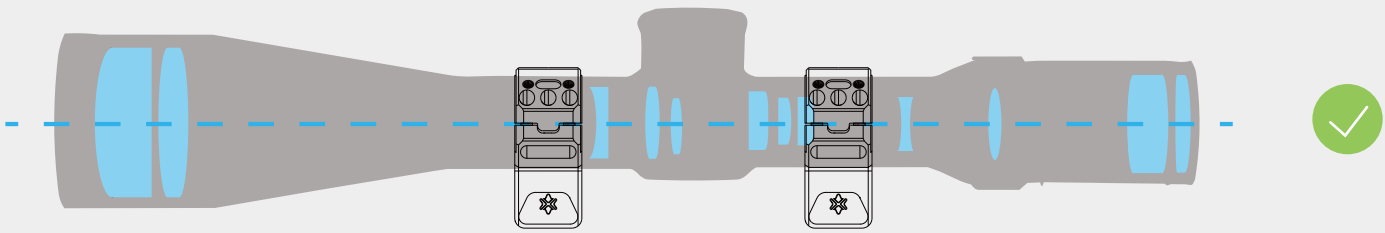
## RINGS ASSEMBLY INSTRUCTIONS



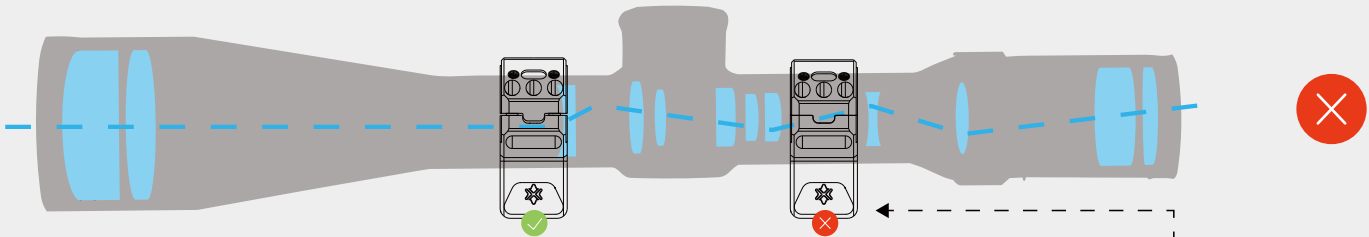
### ATTENTION:

1. Apply the same amount of torque on both sides on the ring when screwing the ring tops onto their bottoms. Having equal tension on both sides of the ring will ensure your scope is properly secured and stable.
2. Use a cross pattern when tightening the screws which helps evenly distribute tension on the rings, ensuring the scope is properly secured, and reduces the risk of ring breakage.

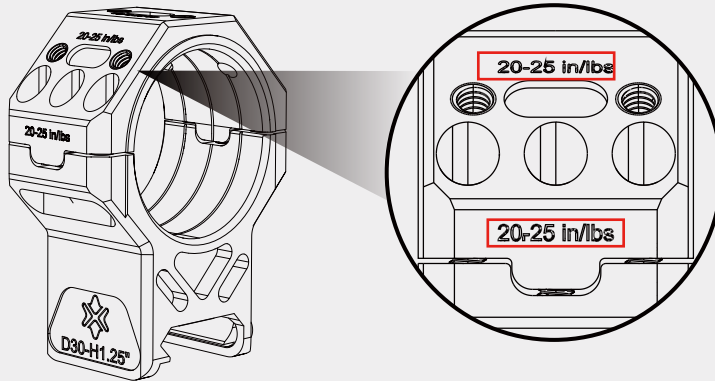
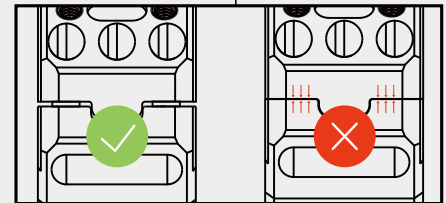




**DELIVERS OPTIMAL FUNCTION AND ADJUSTMENT**



**IMPAIRS MECHANICAL AND OPTICAL FUNCTION AND CAN LEAD TO POOR TRACKING AND ACCURACY.**



Tighten the screws according to the torque values marked on the mount.

**ATTENTION:**

INCORRECT RING TORQUE CAN AFFECT YOUR RIFLESCOPE'S ACCURACY AND CAUSE DAMAGE TO INTERIOR COMPONENTS.