



Quickstart Guide

THERMAL MONOCULAR

Thank you for purchasing this product. Please read this Guide first and keep it properly for future reference.

The picture is for reference only, the product shall prevail in kind.

- CONTENTS -

IMPORTANT	1
FCC WARNING.....	1
NOTES	2
LIST OF PARTS.....	5
PRODUCT COMPONENTS	6
QUICKSTART INSTRUCTIONS	8
TROUBLESHOOTING.....	13
STORAGE AND TRANSPORT.....	14

- IMPORTANT -

Thank you for purchasing this product. Please read this Guide first and keep it properly for future reference. We hope this product will meet your expectations.

This Guide is a general guide for a series of products, which means that the product you receive may differ from the description in the Guide. The actual product you receive shall prevail.

This Guide is prepared to introduce our products to the users. We will try our best to ensure the accuracy of the Guide, but the completeness of the Guide still cannot be guaranteed, because our products have been continuously upgraded. We reserve the right to modify at any time without prior notice.

- FCC WARNING -

This device complies with part 15 of the FCC Rules.

Operation is subject to the following two conditions:

(1) This device may not cause harmful interference, and (2) this device must accept any interference received, including interference that may cause undesired operation.

- NOTES -



DANGER

- 1) Please follow the method described in this Guide for charging the cell, and follow the charging procedures and precautions. Improper charging may cause overheating, damage and even personal injury; Do not attempt to open or disassemble the cell at any time. If any liquid touches the eyes in case of cell leakage
- 2) Please rinse with clean water immediately and seek medical care.



WARNING

- 1) Please keep the device as stable as possible to avoid violent shaking.
- 2) Do not use or store the device in an environment with the temperature higher than the permitted level.
- 3) Do not expose the device directly to high-intensity heat radiation source, such as the sun, laser, spot welding machine, etc..
- 4) Do not block the holes on the device.
- 5) Do not knock, throw or vibrate the device and

accessories to avoid damage.

- 6) Do not disassemble the unit by yourself, which may cause damage to the device and loss of warranty rights.
- 7) Do not use soluble or similar liquid on the device and cables, which may cause damage to the device.
- 8) Please do not use the device in an environment with the temperature higher than the permitted level, which may cause damage to the device;
- 9) Please observe the following rules when wiping this device:
 - Non-optical surface: if necessary, use a clean and soft cloth to wipe the non-optical surface of the thermal imaging camera.
 - Optical surface: avoid soiling the optical surface of the lens when using the thermal imaging camera, and especially avoid touching the lens with your hand, because the optical coating on the glass surface may be corroded due to sweat on the hands. When the optical lens surface is contaminated, use a professional lens cloth to carefully clean it.
- 10) Do not put the cell in a high temperature

environment or near high-temperature objects.

- 11) Do not short-circuit the positive and negative terminals of the cell.
- 12) Do not place the cell in a humid environment or the water.

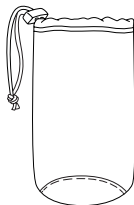


NOTES

- 1) Do not expose the device to dust or moisture. When used in an environment with water, avoid splashing water on the device. The lens shall be covered when the device is not in use.
- 2) When this device is not used, please place the device and all accessories in the special packing box.

- LIST OF PARTS -

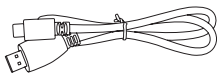
Number	Items	Qty
1	BAG	1
2	18650 CELL	1
3	MICRO USB CABLE	1
4	VIDEO CABLE	1
5	WRIST STRAP	1
6	18650 CHARGER	1



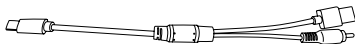
BAG



18650 CELL



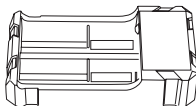
MICRO USB CABLE



VIDEO CABLE



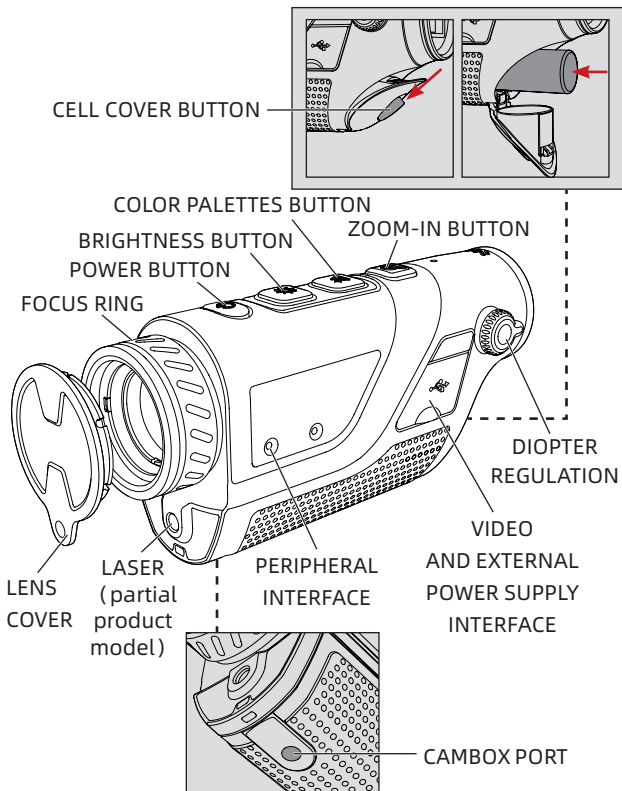
WRIST STRAP



18650 CHARGER

- PRODUCT COMPONENTS -

This Guide is applicable to several models of this series, and the illustration is only for one of them.



1. FOCUS RING

After the thermal imaging camera is turned on, it shall be aimed at the target. When the distance between the observation target changes, the image may be blurred. Therefore, it is necessary to turn the lens focus ring to refocus until the target image is clear.

2. LENS COVER

Please cover the lens to protect the lens when the product is not in use!

3. USB Type-C port

The external port with USB cable can be connected to the external power supply to charge the product.

The output of the external power supply is 5V2A.

The images from the thermal imaging camera can also be output to the external monitor for display by connecting the display with the supporting video cable.

4. CELL COVER

When the cell of the product is used, it is the inlet for disassembling and installing the cell.

Press the button on the cell cover and slide down and open the cell cover, and install the cell according to the anode and cathode marks.

▲ NOTE: please insert the cell in the direction shown in the figure, and do not push the cell forcibly.

5. CAMBOX PORT

1/4-inch standard port, which can support pan/tilt.

- QUICKSTART INSTRUCTIONS -

BUTTON	CURRENT DEVICE STATUS	SHORT PRESS	LONG PRESS
POWER BUTTON	Power on (menu bar not shown)	Calibration	Display off/off
	Power on	/	Power on
BRIGHTNESS BUTTON	Menu bar not shown	Switch display brightness	Switch to scene mode
	Menu bar display	Toggle options	/
COLOR PALETTES BUTTON	Menu bar not shown	Switch to color palettes	Enter menu
	Menu bar display	Confirm the current option and return to the previous menu at the same time.	Do not save the current settings and return or exit the menu
ZOOM-IN BUTTON	Menu bar not shown	Switch to zoom-in	Turn off/on hot track
	Menu bar display	Move menu	/

[BUTTON DESCRIPTION]

1. POWER BUTTON

- **Power on**

Long press and hold the power button until the startup picture appears in the eyepiece, then the

device can be switched on successfully.

- **Power off**

Manual power-off: long press and hold the power button, the power-off progress bar will be displayed, and the power-off succeeds after the progress bar is finished.

Automatic power-off: in the set automatic power-off time, without any button operation, the automatic power-off succeeds.

- **Display off**

Press and hold the power button, the progress bar of power-off will be displayed. Before the progress bar is finished, the power-off will be canceled and the Display off mode will be entered

- **Display on**

In Display off mode, press any button to wake the screen.

- **Calibration**

When it is turned on and the menu is out of the state, short-press the power on/off button to complete the corresponding Calibration action.

2. BRIGHTNESS BUTTON

- **Adjust screen brightness**

Short press the brightness button to switch to the

screen brightness.

- **Switch to scene mode**

Long press and hold it to switch to the scene mode.

3. COLOR PALETTES BUTTON

- **Switch to color palettes**

Short press it to switch to white hot/black hot, red hot/iron red, and blue hot.

- **Menu**

Long press and hold the color palettes button to enter the menu. When the menu is called up, short press the menu to confirm the current option and return to the previous menu. Long press and hold the menu to return or exit the menu without saving the current settings.

4. ZOOM-IN BUTTON

- **Zoom-in**

When the device is turned on and the menu is not called up, short press the button to switch to magnification and PIP.

- **Hot track**

Long press and hold it to adjust the hot track.

[FUNCTION DESCRIPTION]

1. Video output

It can be turned on or off.

2. WiFi

The WiFi can be used to transmit real-time video to the mobile phone after the mobile phone client is connected to the device, and the device can be operated through the APP.

⚠ NOTE: Search and download 'TargetIR' APP in the mobile phone APP store, open the APP, find the WiFi name 'HandHeld-TI-xxxx' in the settings of mobile phone WiFi, and enter the password '12345678' ; remote operation after successful connection.

3. Laser cursor (partial product model)

Red, yellow and blue laser cursors can be switched on or off.

4. Adjustment Image enhancement (partial product model)

When the Image Enhancement is enabled, it can enhance the effect of highlighting the target.

5. Image contrast

Adjustable for 5 levels

⚠ NOTE: The adjusted contrast value will be saved in the current scene mode.

6. Image brightness

Detector brightness can be adjusted with 5 levels.

⚠ NOTE: The adjusted brightness value will be saved in

the current scene mode.

7. Hot track

A white cross cursor is displayed when it is turned on to trace the highest temperature point in the full image.

8. Scene mode

Three scene modes, natural/enhanced/highlight, can be set.

9. Auto Stand-by

The Auto Stand-by time can be set to 5/10/15 min. If there is no operation within the set time, the sleep state will be entered.

10. Automatic power-off

The automatic power-off time can be set to 15/30/60 minutes. If there is no button operation at the set time, the power-off will be entered, and the power-off will be completed.

11. Bluetooth

It can be set, and after it is turned on, the device can be controlled by the Bluetooth remote controller.

12. Working indicator lamp

It can be turned on or off.

- TROUBLESHOOTING -

1. The device fails to start

Solution: Replace the cell or connect the adapter for charging.

2. The screen goes out during use

Solution: Short press any button to wake up sleep and light up the screen.

3. The image of the device is blurred during use

Solution: Turn the focus ring of the lens until the image sharpens.

- STORAGE AND TRANSPORT -

The following is the correct storage and transportation of the product. To prevent danger, property loss, etc., please read the manual carefully before using the device

Strictly observe it, and keep the instruction properly after reading it.

Storage:

1. The packaged product shall be stored in a well-ventilated, clean, condensate-free and corrosive gas-free room with temperature of $-30\text{ }^{\circ}\text{C} \sim 60\text{ }^{\circ}\text{C}$ and relative humidity not exceeding 95%.
2. Please take it out and charge it once every 3 months.

Transport:

During transport, it shall be protected against rain, water flooding and falling, without severe vibration and impact. It shall be handled with care and throwing is strictly prohibited.

Special statement: the version of the Guide will be updated after the technical improvement of the product.